

ASTR[®]

Refrigeration Technology

ASTR Refrigeration Technology incorporates the latest Danfoss Scroll compressors in a range of packaged refrigeration units incorporating Panasonic DC Fans with VSD Technology "The DC Commercial Range"



The Commercial Range

Features & Benefits:

- Danfoss Scroll Compressor
- Panasonic DC Fans
- VSD Technology (Fan speed controller)
- Danfoss D/P Control, Drier & Sight Glass
- Oil Separator
- Accumulator
- ABB Electric
- Nitrogen Holding Charge
- Passivated fins

R404A SATURATED SUCTION TEMPERATURE °C									
Model	Nominal H/P	Ambient	LT		MT			HT	
			-25	-20	-15	-10	-5	0	5
NF700DC	7HP	32	6,842	10,199	10,642	13,025	15,810	19,057	22,819
		38	6,137	8,969	9,638	11,830	14,394	17,397	20,894
		43	5,516	7,861	8,758	10,783	13,159	15,952	19,224
NF800DC	8HP	32	8,270	10,199	12,684	15,714	19,266	23,322	27,840
		38	7,196	8,969	11,261	14,062	17,354	21,122	25,332
		43	6,221	7,861	9,988	12,595	15,668	19,194	23,145
NF900DC	9HP	32	9,362	11,718	14,488	17,745	21,559	26,004	31,138
		38	8,380	10,583	13,145	16,139	19,636	23,715	28,440
		43	7,507	9,581	11,970	14,747	17,983	21,759	26,145
NF1000DC	10HP	32	10,958	13,812	17,082	20,874	25,295	30,459	36,462
		38	9,898	12,442	15,368	18,787	22,807	27,547	33,111
		43	9,027	11,271	13,869	16,931	20,569	24,905	30,054

ASTR[®]

Refrigeration Technology

The company reserves the right to make specification changes without notice.

Distributed By:

ASTR®

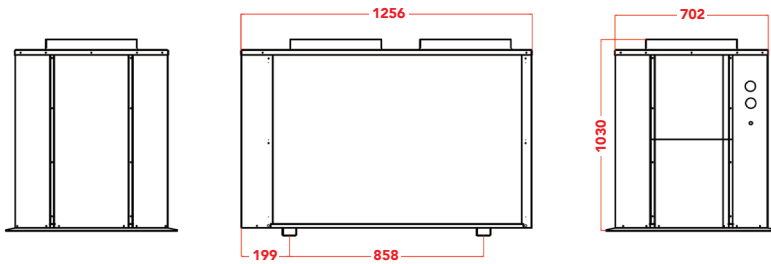
Refrigeration Technology

The Commercial Range



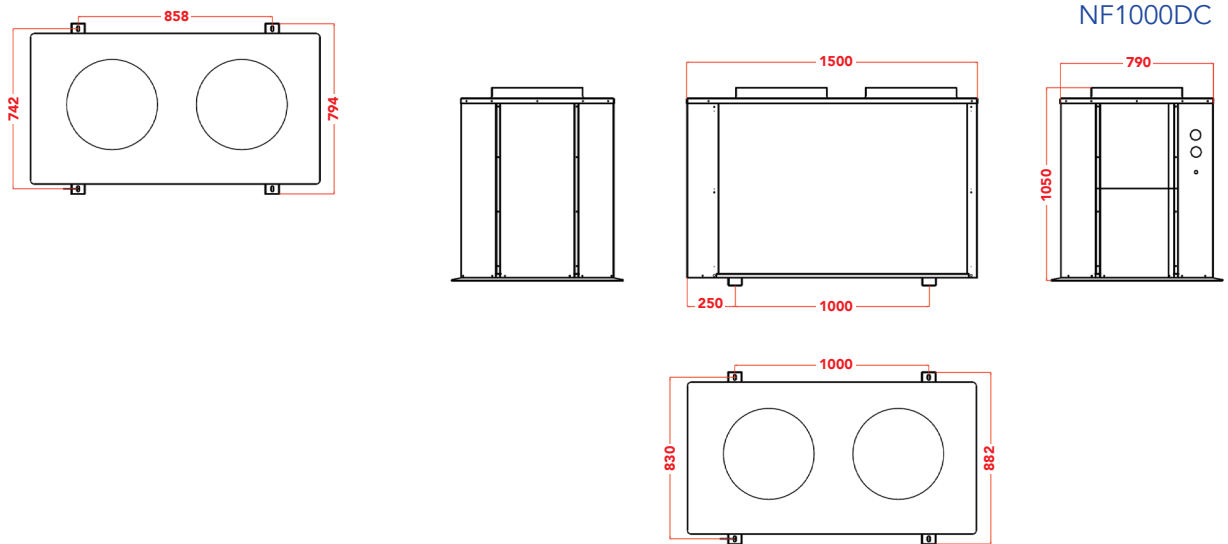
Dimensions

NF700DC, NF800DC, NF900DC



Dimensions

NF1000DC



MODEL	COMP TYPE	NOM. HP	DIMENSIONS	PIPE SIZE (INCH)	NETT KG	ELECTRICAL DATA	
			H (Height) x W (Width) x D (depth) mm			SUPPLY	FLA
NF700DC	MLZ048	7	1256 x 702 x 1030	5/8 7/8	198	415v-3ph-50hz	15.3
NF800DC	MLZ058	8	1256 x 702 x 1030	3/4 1-1/8	202	415v-3ph-50hz	18.1
NF900DC	MLZ066	9	1256 x 702 x 1030	3/4 1-1/8	204	415v-3ph-50hz	20.3
NF1000DC	MLZ076	10	1500 x 790 x 1050	3/4 1-1/8	218	415v-3ph-50hz	23.9

The company reserves the right to make specification changes without notice.